

Product: TABLE

Flyer table, with glazed legs, is available with top in solid wood planks (75 mm thickness).

Thanks to its home-style, it is suitable for Coffice, meeting and shearing areas.

The table width and thickness can be slightly different. The unique characteristics of the natural solid wood are small imperfections and various shade of colors.



TECHNICAL FEATURES

Top: the tops are made of veneer or vintage Oak wooden planks (item FY09, FY04, FY08).

Structure: clear glass legs.

Equipped with top access and cable tray.



FINISHES

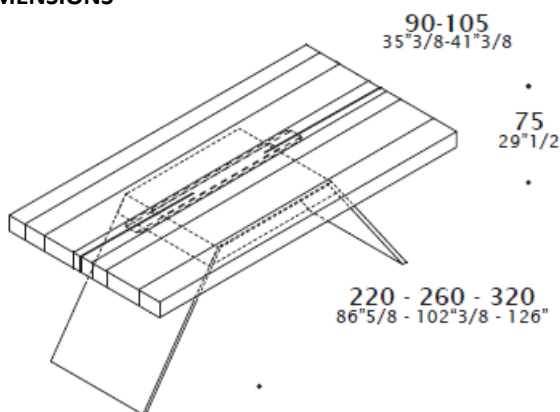
Tops:

Veneer: Colour White Fir, Natural Oak 2016, Dyed Oak.

Vintage Oak wooden planks.

Structure: clear glass.

DIMENSIONS



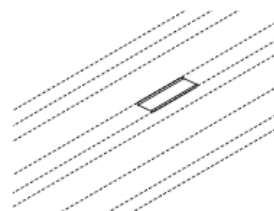
Options:

H75 + W220 + D90

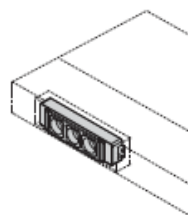
H75 + W260 + D105

H75 + W320 + D105

ELECTRIFICATION



Top access.



Sockets for top's edge.